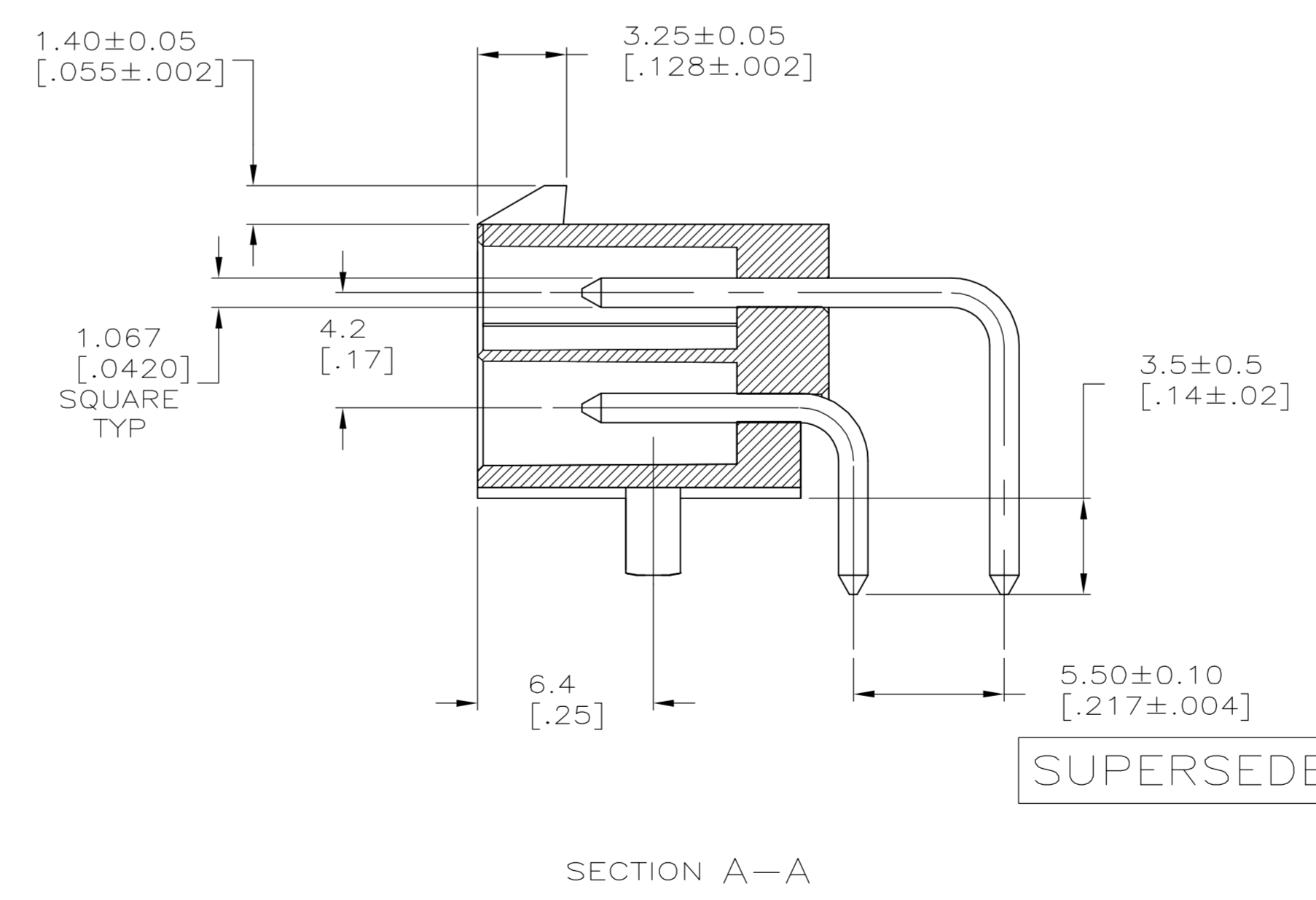
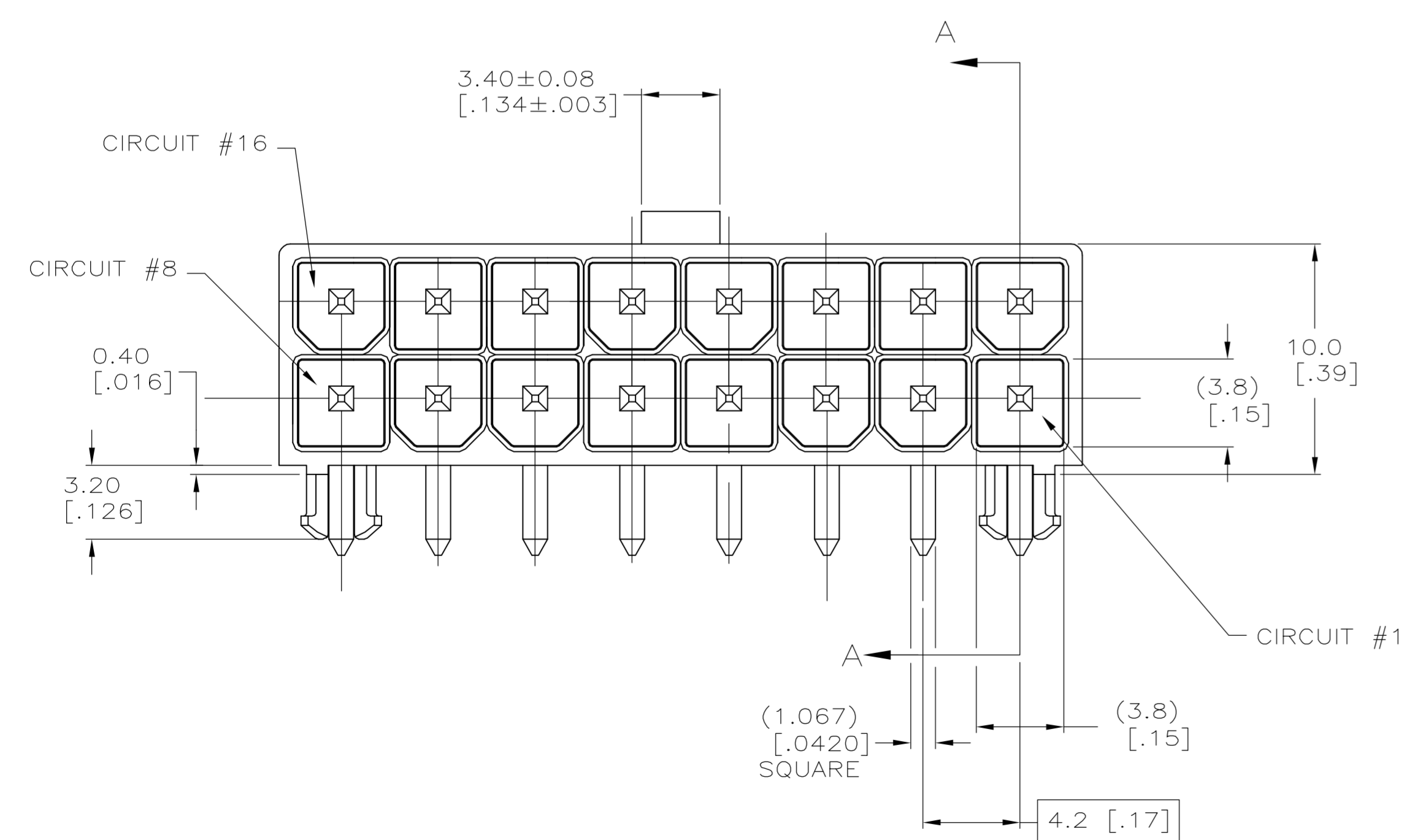
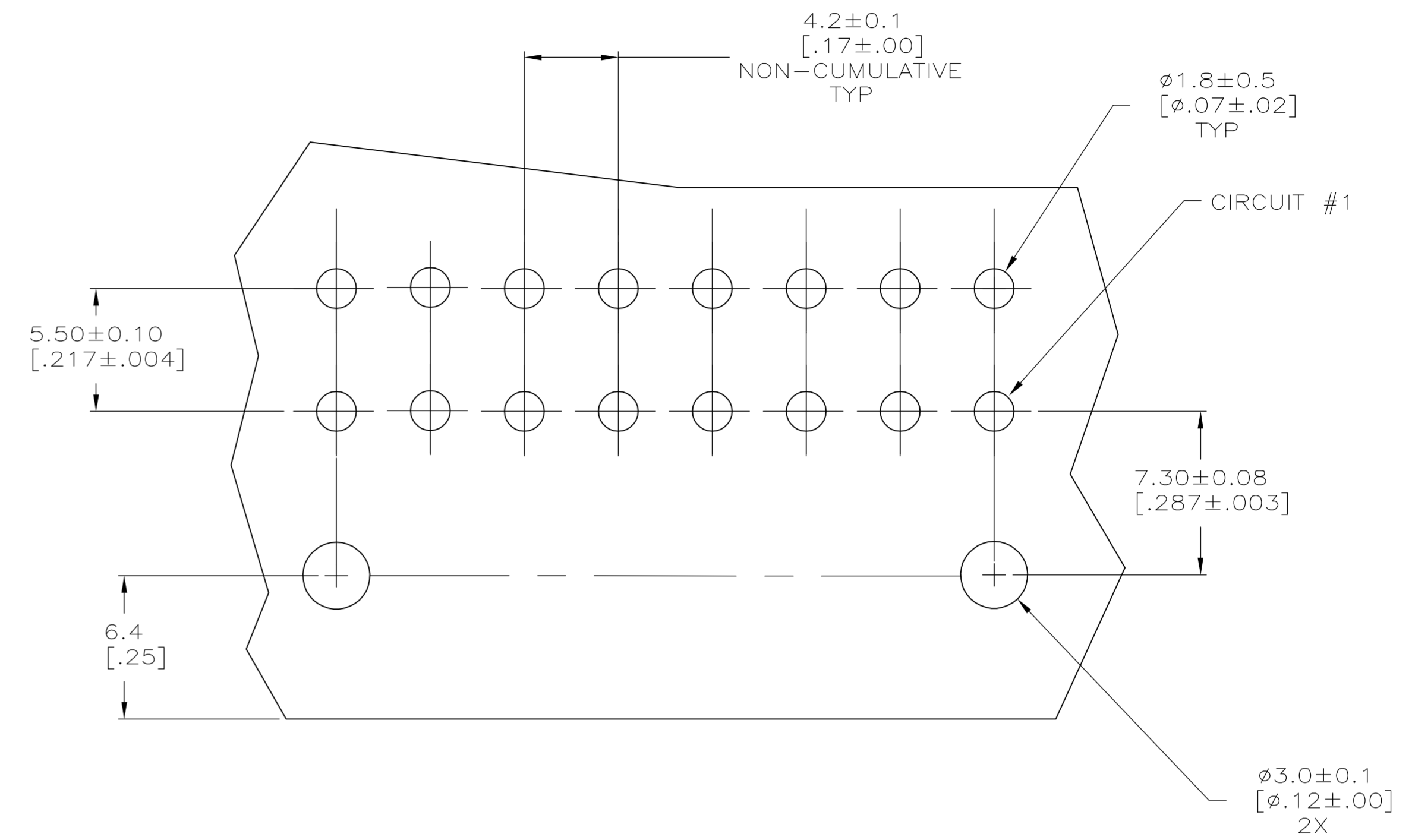
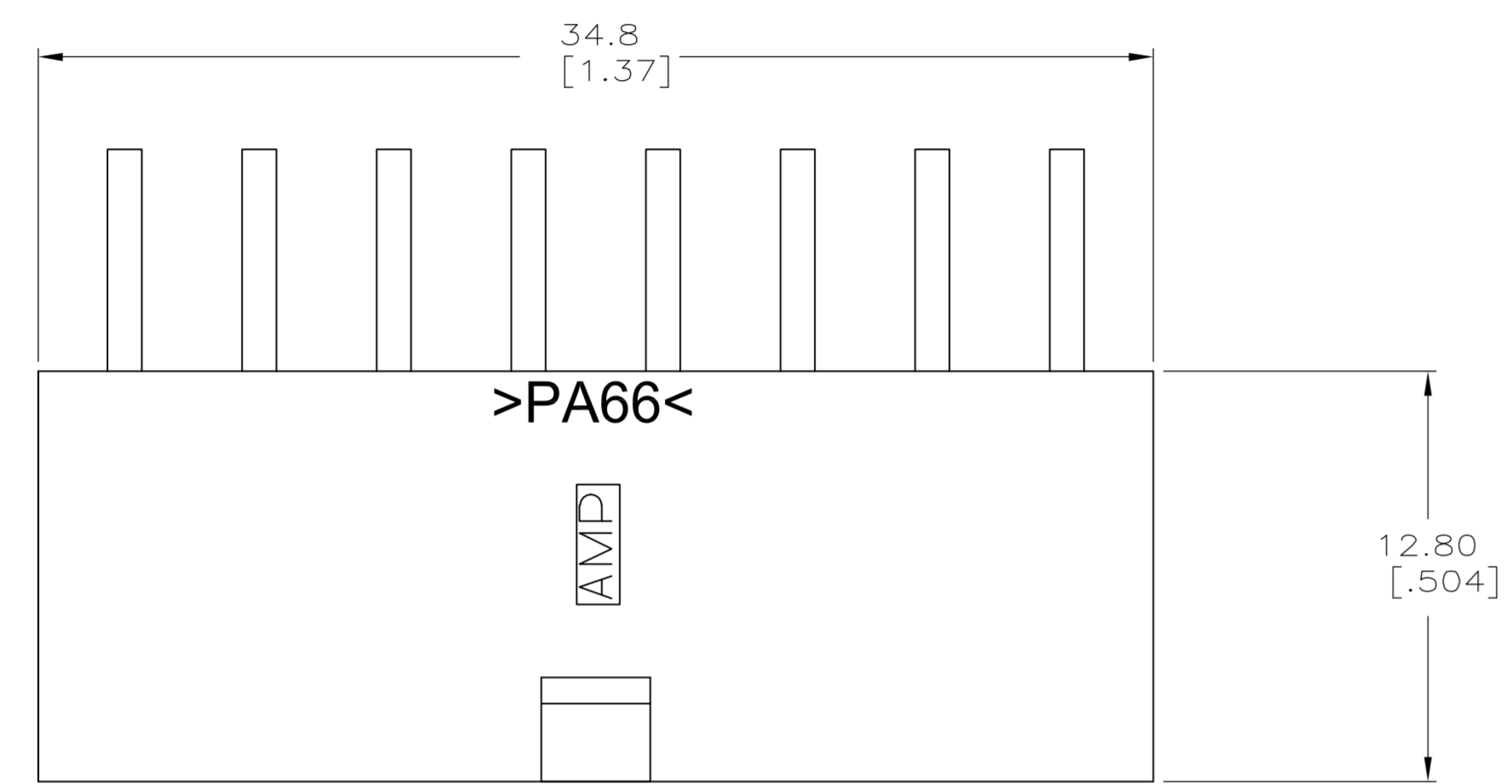


- 1 MATERIAL: HOUSING - NYLON, UL94V-2 (COLOR - NATURAL).  
PIN - 1.067mm<sup>2</sup> [.0017in<sup>2</sup>] COPPER ALLOY.
- 2 PINS TO COMPLY WITH SOLDERABILITY SPEC 109-11-3.
- 3 0.00381 [.000150] MINIMUM TIN LEAD OVER 0.00127 [.000050] MINIMUM NICKEL, ENTIRE LENGTH OF PIN.
- 4 NOTE DELETED.
- 5 0.00381 [.000150] MINIMUM TIN OVER 0.00127 [.000050] MINIMUM NICKEL, ENTIRE LENGTH OF PIN.



SUPERSEDED BY 1-794513-1

1	5	1	1	1-794513-1
1	3	1	1	794513-1
MATERIAL		FINISH		ASSEMBLY
PIN		HOUSING		

**METRIC**

THIS DRAWING IS A CONTROLLED DOCUMENT.

DIMENSIONS:	mm [INCHES]	TOLERANCES UNLESS OTHERWISE SPECIFIED:	0 PLC ± .02 [0.1]	1 PLC ± .013 [0.05]	2 PLC ± .013 [0.05]	3 PLC ± .013 [0.05]	4 PLC ± .013 [0.05]	ANGLES: ± 30°	
MATERIAL	SEE CHART	FINISH	SEE CHART	DWN S. HOOVER 02-MAR-2005		CHK D. COLEY 02-MAR-2005		APVD D. COLEY 02-MAR-2005	
Tyco Electronics Corporation Harrisburg, Pa 17105-3608				NAME: ASSEMBLY, HEADER, RIGHT ANGLE, 16 POSITION, W/PEGS, 94V-2, AMP-DUAC™ POWER CONNECTOR					
PRODUCT SPEC: 108-1646				APPLICATION SPEC: 114-6067		SIZE: A1		CASE CODE / DRAWING NO: 00779	
CUSTOMER DRAWING				SCALE: 5:1		SHEET: 1 OF 1		REV: D	